

Briton

200 Series

Door controls



Fire Rated: Tested on fire door assemblies in accordance with Australian Standards, refer fire door manufacturer for specific approval details

The Briton 200 Series is a compact door closer designed for use on residential or light commercial interior hollow core wooden doors e.g. electrical cupboards, storeroom and office doors. The 200 Series is not recommended for use on exterior door applications.

For exterior door applications refer to the Briton 1120 and 1130 Series.

Features

- Universal, fully reversible, non-handed door closer
- Closer body construction from pressure die cast aluminium with steel rack and pinion
- Tested to 500,000 cycles
- Factory set to strength 3
- Standard closer offers 3 installation options:
 - Regular (pull side)
 - Top jamb (push side)
 - Parallel arm (push side)
- Independent adjustment valves for controlling backcheck, closing and latching speeds

Specification guide

Series Briton 200 SeriesBNT-N200	Strength Closer strength3	Function Regular closer.....REG	Finish Sprayed silver.....SE
---	------------------------------------	------------------------------------	---------------------------------

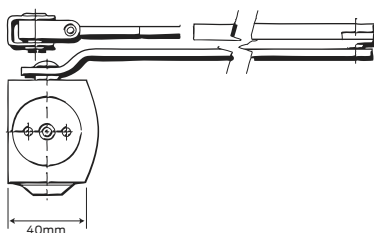
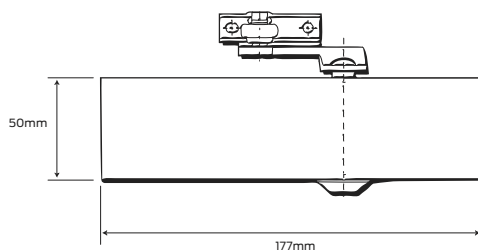
1. Series
Select the desired series e.g. Briton 200 Series BNT-N200
2. Strength
Select the required closer strength BNT-N200-3
3. Function
Select the desired function e.g. Regular closer BNT-N200-3REG
4. Finish
Select the desired finish e.g. Sprayed silver BNT-N200-3REGSE

Selection chart

Strength 3	Maximum door leaf	Door weight
Regular	930mm x 2040mm	40-65kg
Top jamb	930mm x 2040mm	40-65kg
Parallel arm	820mm x 2040mm	40-65kg

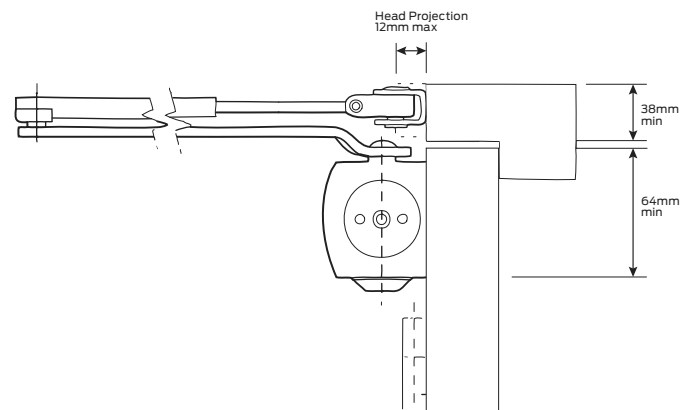
Specifications

Door type	Timber or metal
Door size	See chart below
Applications	Regular - pull side mount Parallel arm - push side mount Top jamb - push side mount
Adjustment controls	Closing speed Latching speed Backcheck
Strength	Size 3
Finish	Sprayed silver
Warranty	5 year mechanical



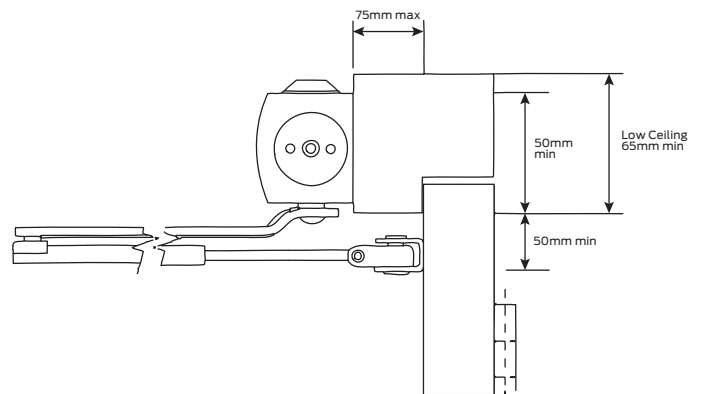
Regular

Closer is fixed to the pull (hinge) side of door



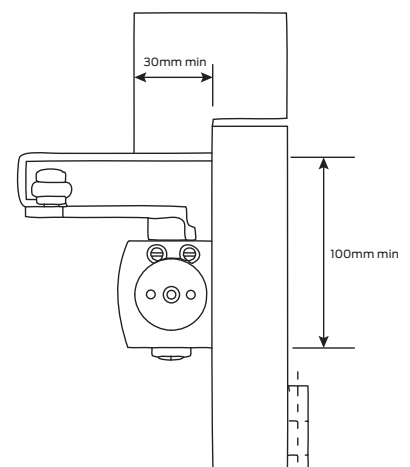
Top jamb

Closer is fixed to top jamb on push (opposite to hinge) side of door



Parallel arm

Closer is fixed to the push (opposite to hinge) side of the door





ALLEGION™

PIONEERING SAFETY™

We are
Allegion